

Accessories

Charging Set VGU

The charging set VGU is an indispensable instrument for the verification, pressurization and nitrogen bleeding of most of the hydraulic accumulators available on the market. The standard set is delivered in a storage case containing the following:

- VGU universal tester and pressurizer (end M28 x 1.50).
- Pressure gauge kit from 0 to 25 bar.
- Pressure gauge kit from 0 to 250 bar.
- Connection adapters for inflation valves (7/8" - 5/8" - 8V1 - M28 x 1.50).
- High pressure hose, 2.5 m long, for connecting to a nitrogen source.
- Hexagon socket screw key 6mm.
- Jackets of replacement joints.
- Operating instruction in French, English, German.



Note: On request, the following options are available:

- Pressure gauge kits with different scale divisions: 63mm with glycerol bath back end G1/4" cyl. equipped with direct gear for Minimess® connection. Scale divisions 0-10, 0-60, 0-100, 0-400, with accuracy class 1.6%.
- High pressure hose of different length with adapters for nitrogen bottles from various countries (specify country), at each end with a female swivel coupling G1/4" for connecting to the inflation port.

Maximum working pressure: limited by the maximum operating pressure of the installed hydraulic system, pressure limited to **400 bar** in any case.

| Type | Spare Parts | |
|----------------------|--------------------|-----------------|
| | High Pressure Hose | Spare Part Kits |
| | Type | Type |
| Part number | Part number | Part number |
| VGU/F.25/250.8.TS2.3 | TS2 (France) | |
| 20214122823 | 20214800000 | 10774100023 |
| VGU/F.25/250.8.TS3.3 | TS3 (Germany) | |
| 20214122833 | 20228000000 | 10774100023 |
| VGU/F.25/250.8.TS8.3 | TS8 (Italy) | |
| 20214122883 | 20217200000 | 10774100023 |
| VGU/F.25/250.8.TS9.3 | TS9 (Netherlands) | |
| 20214122893 | 20227300000 | 10774100023 |
| VGU/F.25/400.8.TS2.3 | TS2 (France) | |
| 20214139823 | 20214800000 | 10774100023 |
| VGU/F.25/400.8.TS3.3 | TS3 (Germany) | |
| 20214139833 | 20228000000 | 10774100023 |
| VGU/F.25/400.8.TS8.3 | TS8 (Italy) | |
| 20214139883 | 20217200000 | 10774100023 |
| VGU/F.25/400.8.TS9.3 | TS9 (Netherlands) | |
| 20214139893 | 20227300000 | 10774100023 |

Spare Parts Gauge Kit VGU

| Type |
|--------------|
| Part number |
| 0 to 25 bar |
| 00090300000 |
| 0 to 250 bar |
| 00090500000 |
| 0 to 400 bar |
| 00090600000 |

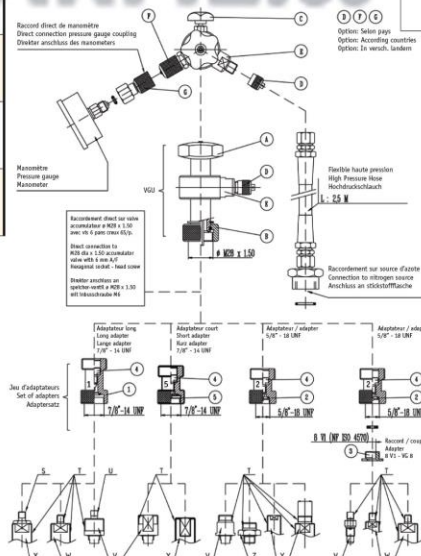
Spare Parts Adaptors VGU

| Type |
|-----------------------|
| Part number |
| Adaptor 7/8" - 14 UNF |
| 20212700223 |
| Adaptor 5/8" - 18 UNF |
| 20213000223 |
| Coupling 8 V1 |
| 20214000200 |
| Adaptor 7/8" - 14 UNF |
| 20213500223 |
| Adaptor 1/4" cyl |
| 20221100220 |

How to order a VGU Charging set: see page 54



تامین و تجهیز ابزار دقیق آرمه
Armecompany.com
09125795160



Accessories

Charging Set VG3

The charging set VG3 is an indispensable instrument for the verification, pressurization and nitrogen bleeding of the hydraulic accumulators. The standard set is delivered in a storage case containing the following:

- pressure gauge with standardized graduations in bar
- vent valve
- 3 connection adaptors for charging valves. (7/8" - 5/8" - 8V1).
- High pressure hose, 2.5 m length, in standard, maximum working pressure 400 Bar. This hose is fitted at each end with a female swivel coupling G 1/4" BSP for connecting to the inflation port. It can be connected to a commercial nitrogen bottles, in this case add an adapter on one end view model in the country. For the other destinations consult Parker Olaer.
- Operating instruction french/english version



Note: On request, the following options are available :

- Pressure gauge with different scale divisions : 63 mm with glycerol bath back end G1/4" BSP equipped with direct gear for minimeas ® connection. To scale divisions 0-10,0-60,0-100,0-400, with accuracy class 1.6%.
- High pressure hose of different length with adapters for nitrogen bottles from various countries are available (specify country)

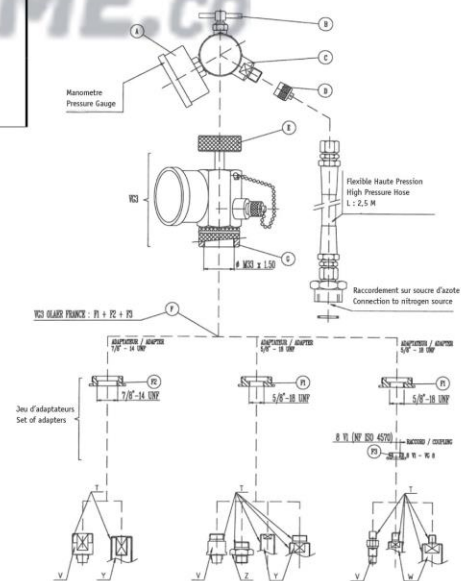
Maximum working pressure: limited by the maximum operating pressure of the installed hydraulic system, pressure limited to 400 bar in any case.

| Type Part number | Spare Parts | | |
|--------------------------------|-----------------------------|---------------------|---------------------|
| | Gauge Kit | High Pressure Hose | Spare Part Kits |
| | Type Part number | Type Part number | Type Part number |
| VG3 6 1 TS2 1 20138101121 | 0 to 6 bar 00077000000 | 20214800000 | 10529500033 |
| VG3 10 1 TS2 1 20138102121 | 0 to 10 bar 00077100000 | | |
| VG3 25 1 TS3 1 20138103131 | 0 to 25 bar 00077200000 | | |
| VG3 100 1 TS2 1 20138104121 | 0 to 100 bar 00077300000 | | |
| VG3 250 1 TS2 1 20138105121 | 0 to 250 bar 00077400000 | | |
| VG3 400 1 TS2 1 20138106121 | 0 to 400 bar 00077500000 | | |

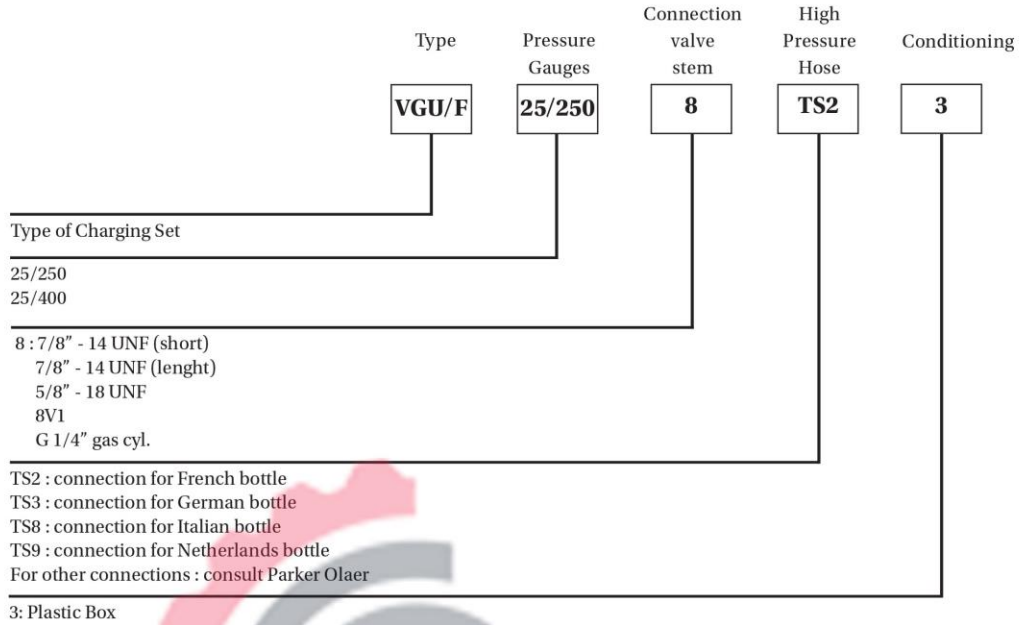
Spare Parts Adaptors VG3

| Type |
|-----------------------|
| Part number |
| Adaptor 5/8" - 18 UNF |
| 20138300200 |
| Adaptor 7/8" - 14 UNF |
| 20202004700 |
| Coupling 8 V1 |
| 10232700200 |

How to order a VG3 Charging set: see page 54



How to order a VGU Charging Set



How to order a VG3 Charging Set

