

CLIMAX SCREW PRIME HIGH PRESSURE LUBRICANT/SEALANT GUN No. 10516

For efficient and controlled Plug Valve Lubrication.
Handles the heaviest plug valve lubricant/sealants.
Builds pressure up to 10,000 lbs. plus.
Strong, Durable Aluminum Barrel, Cast Steel Head & Collar.
High Pressure Piston of Finest Lapped Steel.
Positive Prime, Screw Type Plunger Assembly.
Provides 20 or more Strokes without Re-Prime.
Uses "K" Size Stick (1 1/2" Dia. x 12" long).
Giant Buttonhead Coupler with Pressure Release.
Hose Assembly (1/4" I.D. x 12" long H.P. Grease Hose with Built-in Swivels or Available with 1/2"-27 THD Straight Swivel on one end, 5,000 PSI WP - Standard).

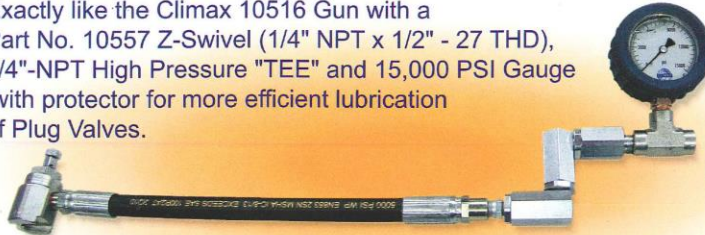


تامین و تجهیز ابزار دقیق آرمه
Armecompany.com
09125795160



No. 10516-S

Exactly like the Climax 10516 Gun with a
Part No. 10557 Z-Swivel (1/4" NPT x 1/2" - 27 THD),
1/4"-NPT High Pressure "TEE" and 15,000 PSI Gauge
with protector for more efficient lubrication
of Plug Valves.

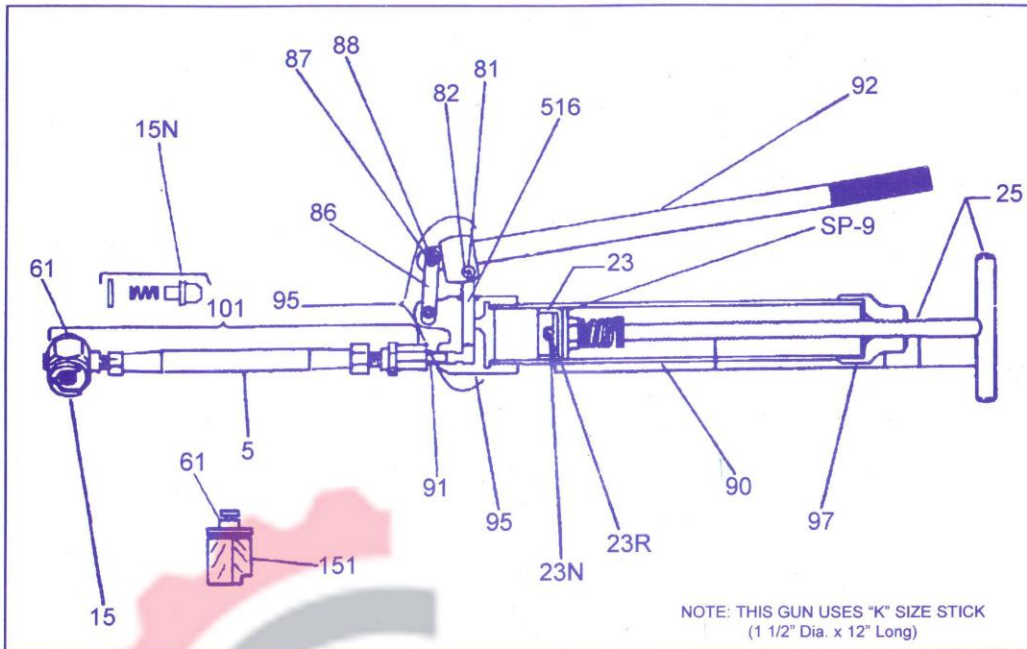


CLIMAX LUBRICANTS & EQUIPMENT CO.®

713-923-2626
FAX 713-928-9025
sales@climaxlube.com

P.O. BOX 5235
HOUSTON, TEXAS 77262-5235

7915 E. ELM STREET
HOUSTON, TEXAS 77012



**10516 SCREW PRIME
HIGH PRESSURE LUBRICANT/SEALANT GUN
PARTS LIST**

PART #	DESCRIPTION	PART #	DESCRIPTION
10516	GUN COMPLETE W/ HOSE ASSEMBLY	10531	1/4" NPT-CROSS
10516A	GUN ONLY	1055	HOSE CENTER (1/4" NPT X 1/4" NPT)-12" LONG
10516S	GUN COMPLETE W/ HOSE ASSEMBLY, "Z" SWIVEL, & GAUGE	10550	0-15000 PSI PRESSURE GAUGE
105101	HOSE ASSEMBLY (HOSE CENTER W/SWIVEL ENDS & B.H. COUPLER W/ PRESSURE RELEASE)	10551	GAUGE PROTECTOR
105101S	HOSE ASSM. (WITH "Z" SWIVEL, GAUGE & TEE)	105516	PISTON
105118	1/4" NPT X 1/4" NPT HEX NIPPLE	10557	"Z" SWIVEL (1/4"NPT X 1/2"-27)
105150	G.B.H. COUPLER W/ PLUG	10558	1/4" NPT-COUPLING
105151	G.B.H. COUPLER W/ PRESSURE RELEASE	10559	STRAIGHT SWIVEL (1/4" NPT X 1/2"-27)
105152	S.B.H. COUPLER W/PLUG	1056	HOSE CENTER (1/4" NPT X 1/4" NPT)-24" LONG
105153	S.B.H. COUPLER W/PRESSURE RELEASE	10561	PRESSURE RELEASE VALVE (TWO PARTS)
10515N	G.B.H. COUPLER REPAIR KIT (INCLUDES: STEEL BUTTON, SPRING AND "O" RING)	10562	1/8" NPT PLUG
1051A-A	SPRING FOR G.B.H. COUPLER OR S.B.H. COUPLER	10581	PISTON STUD NUT
1051A-AH	HEAVY SPRING FOR G.B.H. COUPLER OR S.B.H. COUPLER	10582	PISTON STUD
10520	TEE	10583	PISTON STUD WASHER
10521	COIL SPRING	10585	LINK STUD WASHERS (2-REQ.)
10523	NEOPRENE CUP	10586	LINKS (2- REQ.)
10523B	5/16-24 BOLT-4" LONG	10587	LINK NUTS (2- REQ.)
10523N	5/16-24-NUT	10588	LINK STUDS (2- REQ.)
10523R	RETAINING PLATE	10589	LINK ASSEMBLY
10525	SCREW HANDLE	10590	BARREL ONLY
10526	SHOULDER WASHER (2 - REQ.)	10591	CHECK VALVE
10527	DEFAMATION SPACER	10592	PUMP HANDLE ONLY
1052A	NYLON BUTTON FOR G.B.H. COUPLER OR S.B.H. COUPLER	10593	PUMP HANDLE HEAD CASTING
1052B	STEEL BUTTON FOR G.B.H. COUPLER OR S.B.H. COUPLER	10595	HEAD AND HANDLE ASSEMBLY
1052C	"O" RING FOR NYLON OR STEEL BUTTON	10595H	HEAD ONLY W/ PISTON
		10597	BOTTOM COLLAR
		105SP9	SPRING PRIMER ASSEMBLY (CUP, PLATE, SPRING, WASHERS, SPACER, 5/16-24-BOLT & NUT)

SHIPPING DIMENSIONS

SIZE: Length - 24" Width - 7" Height - 4"

WEIGHT: 10516 Gun - 11 Lbs.

10516-S Gun - 13 Lbs.