

AFF220 FLANGE FACER

Facing Range: 2 – 24" (50 – 610mm)



تامین و تجهیز ابزار دقیق آرمه

Armecompany.com

09125795160

AFF220 Flange Facing is an overall cost effective technique which allows you to face, bevel, and turn pipe, valve and pump flange with ease . Which in turn helps to keep your plant running efficiently, safely and more environmentally friendly.

It gives machine shop accuracy , combined with ease of handling and portability in the flange range .Spur gears engage directly on the drive ring, keep power requirements and losses to a minimum and allowing maximum torque at the cutting tool . When the machine is used in the vertical plane , balancing is greatly reduced.

AFF220 can be used in horizontally, vertically or overhead planes.

SPECIFICATION

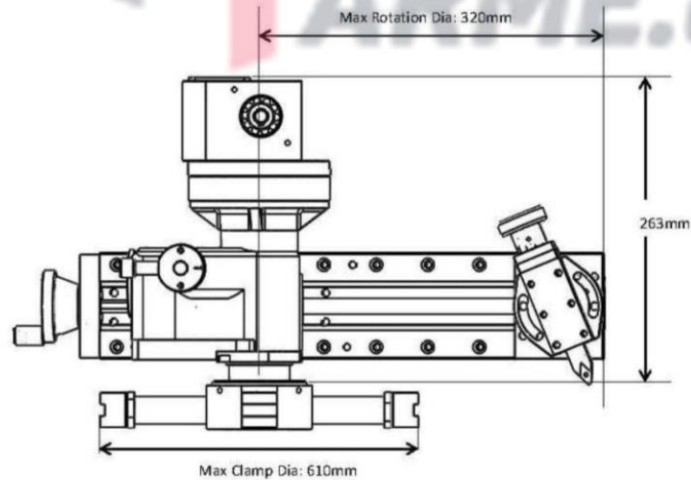
US

Metric

Technical Details		
Facing Diameter:		
Min Facing Diameter	2.0 inches	50 mm
Max Facing Diameter	24.0 inches	609.6 mm
ID Mounting Diameter		
Min I.D. Mount	2.0 inches	50 mm
Max I.D. Mount	24 inches	609.6 mm
Stroke:		
Tool Feed Stroke	2.0 inches	50 mm
Tool Post Swivel Angle	+ / - 30°	
R.P.M	Min:0	Max:42
Motor Hp (pneumatic)	0.89 KW	1.2 Hp
Servo motor	0.75 KW	1.0 Hp
Electric motor	1.3 KW	1.75 Hp
Air Consumption / Supply Required	42 S.C.F.M	1.2 m³/min
Approximately Operational Weight	99 lbs	45 kg
Approximately Shipping Weight	136 lbs	72 kg
Approximately Shipping Dimensions Length x Width x Height	26 x 18 x 16 inches	670 x 450 x 400 mm

Facing Feed Rates				
	inches/rev	mm/rev	Grooves per inches	Grooves per mm
1.00mm Pitch Lead Screw (optional)				
Fine	0.004	0.114	224	880
Coarse	0.018	0.455	56	220
1.25mm Pitch Lead Screw (standard)				
Fine	0.006	0.142	179	700
Coarse	0.022	0.568	45	180
1.75mm Pitch Lead Screw (standard)				
Fine	0.008	0.199	128	500
Coarse	0.031	0.795	32	130

OPERATIONAL DIMENSIONS



Quick and Easy Setup & Removal

- Separate mounting chuck.
- All centering and leveling is done on the chuck.

Lightweight

- Body of machine weighs only 99 lbs (45 kg).
- Smallest mounting chuck weighs about 5 lbs (2.2 kg).

Safe and Quiet Operation

- Stationary feed rate selector.
- Machine is controlled without touching any moving parts.
- Exhaust air is routed through body of machine for increased muffling.

Simplified Operation

- Single selector switch for bidirectional radial feed or vertical downfeed.
- One wrench size for clamping jaws and body draw bolt.

Cuts Chamfers and Grooves

- Compound tool head and downfeed for cutting angles and grooves.

The AFF220 machine is supplied complete with toolkit including tools and inserts, air filter lubricator and hose connection, all required mounting base and extensions, storage / shipping box, CE certificate, packing list and manual.

AFF 220 Packing picture



Here is the package box : 67 x 45 x 40cm -72kg in total (Wooden package)



ARME.co

AFF 220 Flange Facing Machine Packing List

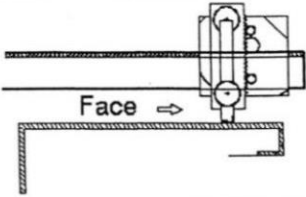
AFF 220 PACKING LIST			
Item	Product Name	Quantity	Unit
1	Primary machine	1	SET
2	Base support	3	SET
3	Pneumatic motor	1	SET
4	Mounting block	4	PCS
5	Lead screw	3	Unit
6	Mounting leg	12	PCS
7	Counterweight block	1	PC
8	Counterweight plate	1	PC
9	Balance bar	4	PCS
10	Gasket	1	PC
11	Arm bolt	4	PCS
12	Air filter	1	SET
13	Air Hose	1	PC
14	Cutter head	6	PCS
15	Cutters	3	PCS
16	Allen wrench tools	3	SET
17	Hex socket	2	PCS
18	RTJ grooving tools	1	SET
19	HSS Tool	1	PC
20	Operation Manual	1	UNIT
21	Wooden package	1	UNIT

MADE IN TAIWAN

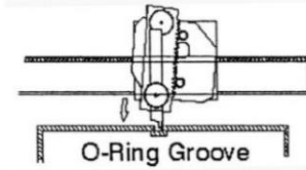
SHIPPING DIMENSION:67 x 45 x 40 cm,NW/GW:45/72KG. one package

APPLICATIONS

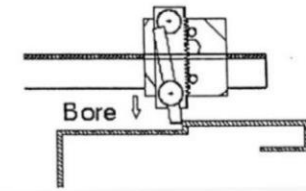
Face



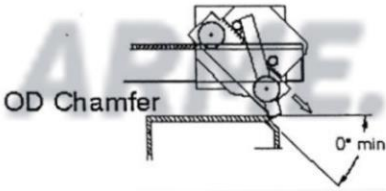
O-Ring/RTJ Groove



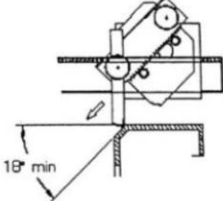
Counterbore



Chamfer



Chamfer of Counterbore



AFF 220 ON SITE MACHINE TOOLS



Flange facing machine application for Oil, Gas and Chemical ,Power Generation ,Heavy Equipment ,Ship building & repair

Typical applications:

- Piping system flanges
- Heat exchanger flanges
- Flange faces on piping systems
- Weld preps
- Bearing mounting bases
- Bull gear faces
- Slew rings
- Crane pedestal flange.
- Valve flanges and bonnet flanges
- Vessel flanges
- Pump housing flanges
- Tube sheet bundles.
- Final drive hubs
- Manufacturing of mining equipment
- Bearing mounting bases